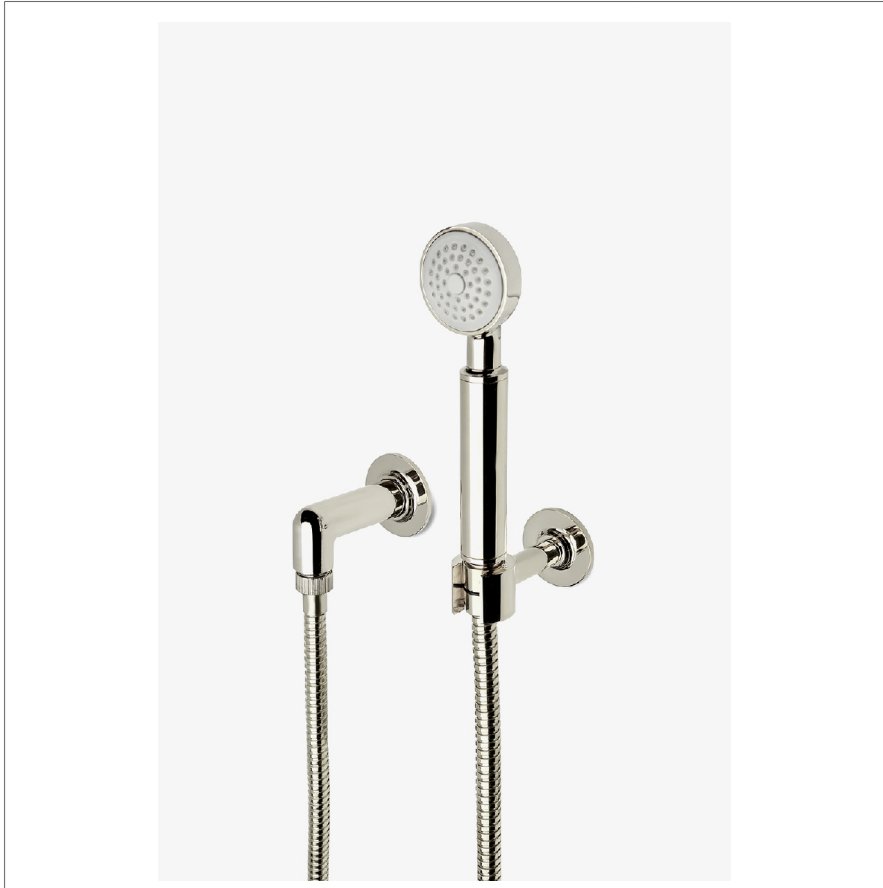


## BOND

BHS001

Bond Handshower on Hook



SHOWN IN BOND HANDSHOWER ON HOOK | BHS001

### TECHNICAL DETAILS

ADA Compliance: Yes  
Adjustable Versus Fixed Spray: Fixed Spray  
Fittings Hole Diameter: 1"  
Handshower Spray Hose Length: 59"  
Inlet Connection Size: 1/2"  
Inlet Connection Type: FEMALE NPT  
Integrated Diverter: N  
Pivot: N  
Primary Material: Brass  
Restricted Maximum Flow Rate: 1.75 gpm  
Water Pressure Maximum: 85.0 psi  
Water Pressure Minimum: 20.0 psi  
Water Pressure Recommended: 45.0 psi

### INSPIRATION

Modern designs infused with rare soul and artistry. Explore our wide range of Bond bath and kitchen elements, from fittings to fixtures to hardware.

### CODES & STANDARDS

State of MA

### PRODUCT FEATURES

2 -1/8" head with rubber nozzles

Stocked in Chrome, Nickel, Brass and Dark Nickel

Available in 1.75gpm (6.6L/min) flow rate

### CERTIFICATIONS

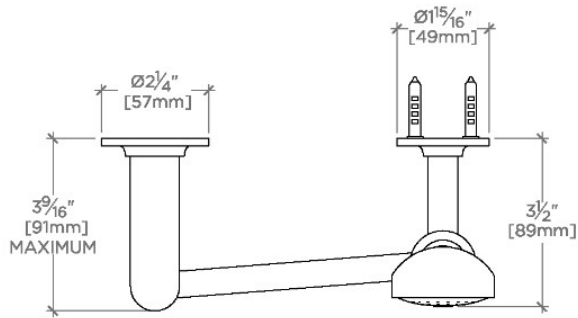
### PRODUCT (NOTES)

# WATERWORKS

## BOND

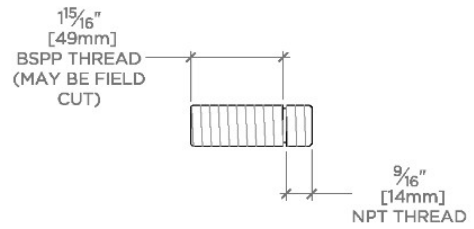
BHS001

Bond Handshower on Hook

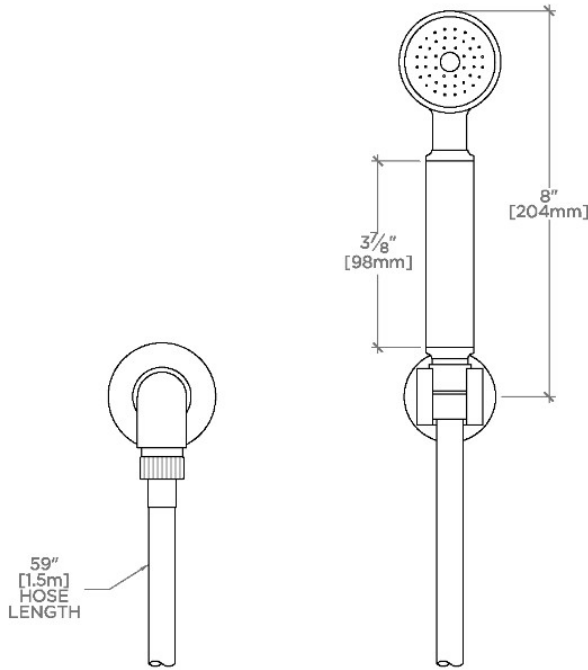


TOP VIEW

SCALE: 3"=1'-0"

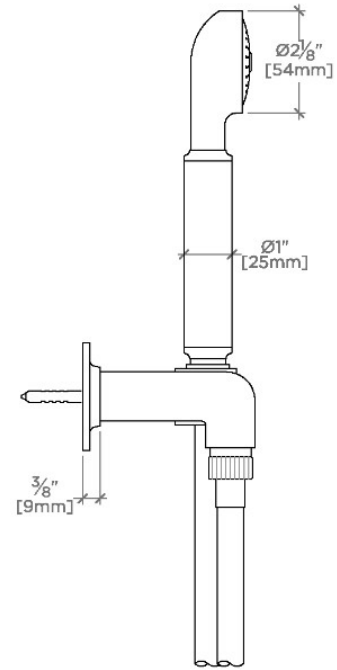


ADAPTER INCLUDED - INTERNATIONAL USE ONLY



FRONT VIEW

SCALE: 3"=1'-0"



SIDE VIEW

SCALE: 3"=1'-0"