

## BOND

BLS310

Bond Solo Series Wall Mounted Lavatory Faucet with Single Lever Handle



SHOWN IN BOND SOLO SERIES WALL MOUNTED LAVATORY FAUCET WITH SINGLE LEVER HANDLE | BLS310

### TECHNICAL DETAILS

ADA Compliance: Yes  
 Drain Depth Maximum: 2 5/8"  
 Drain Depth Minimum: 3/8"  
 Drain Hole Diameter: 1 3/4"  
 Drain Style: Push Touch  
 Fittings Hole Diameter: 1 3/8"  
 Handle Turn Angle: Quarter Turn  
 Inlet Connection Size: 1/2"  
 Inlet Connection Type: Female NPT  
 Number Of Holes: Two Hole  
 Primary Material: Brass  
 Restricted Maximum Flow Rate: 1.2 gpm  
 Spout Swivel: N  
 Valve Material: Ceramic  
 Water Pressure Maximum: 85.0 psi  
 Water Pressure Minimum: 20.0 psi  
 Water Pressure Recommended: 45.0 psi

### INSPIRATION

Modern designs infused with rare soul and artistry. Explore our wide range of Bond bath and kitchen elements, from fittings to fixtures to hardware.

### CODES & STANDARDS

State of MA

### PRODUCT FEATURES

Lever Handle

Includes European size push touch drain

Features Uprturned Lever Handle

Stocked in Chrome, Nickel, Brass and Dark Nickel

Available in 1.2gpm (4.5L/min) flow rate; Requires rough valve, sold separately: GULV29

### CERTIFICATIONS



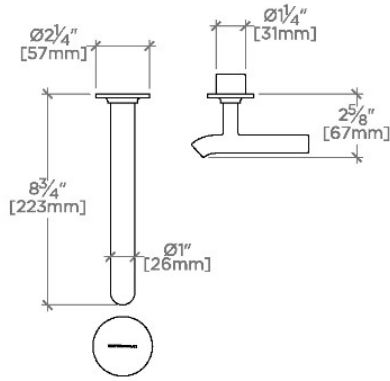
### PRODUCT (NOTES)

# WATERWORKS

## BOND

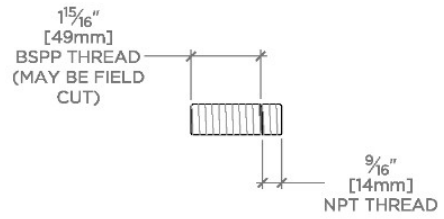
BLS310

Bond Solo Series Wall Mounted Lavatory Faucet with Single Lever Handle

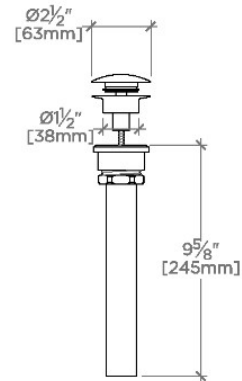
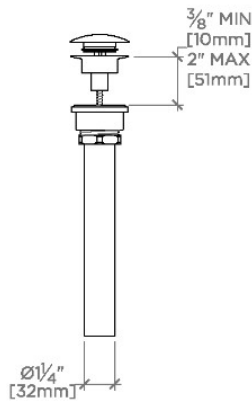
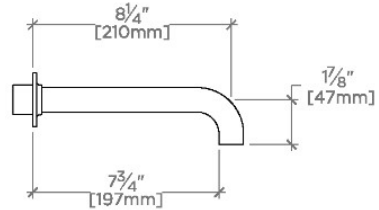
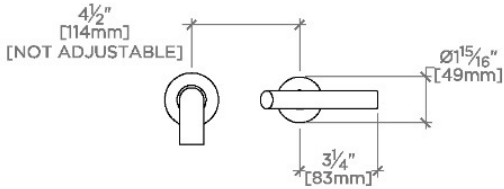


TOP VIEW

SCALE: 1/2"=1'-0"



ADAPTER INCLUDED - INTERNATIONAL USE ONLY



FRONT VIEW

SCALE: 1/2"=1'-0"

SIDE VIEW

SCALE: 1/2"=1'-0"