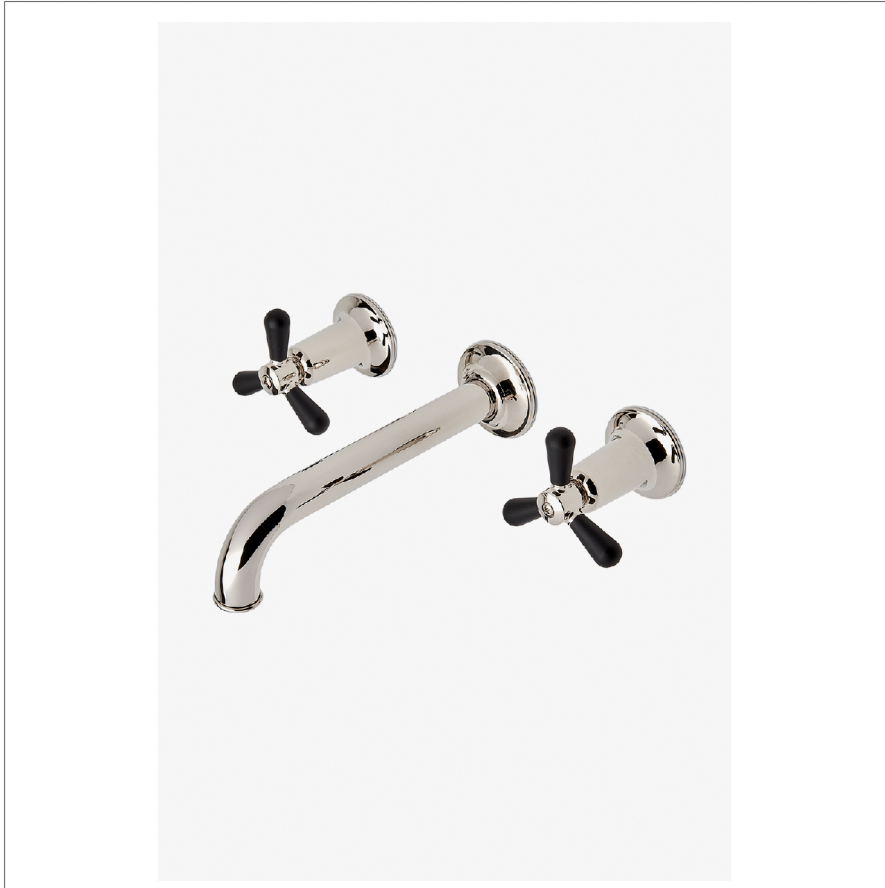


## RIVERUN

RRLS60

Riverun Wall Mounted Lavatory Faucet with Two-Tone Tri-Spoke Handles



SHOWN IN RIVERUN WALL MOUNTED LAVATORY FAUCET WITH TWO-TONE TRI-SPOKE HANDLES | RRLS60

### TECHNICAL DETAILS

ADA Compliance: Yes  
Drain Depth Maximum: 2"  
Drain Depth Minimum: 3/8"  
Drain Hole Diameter: 1 1/2"  
Drain Style: Push Touch  
Fittings Hole Diameter: 1 3/8"  
Handle Spread Maximum: 8"  
Handle Turn Angle: Quarter Turn  
Inlet Connection Size: 1/2"  
Inlet Connection Type: Female NPT  
Inlet Supply Spread Maximum: 8"  
Number Of Holes: Three Hole  
Primary Material: Brass  
Restricted Maximum Flow Rate: 1.2 gpm  
Spout Swivel: N  
Water Pressure Maximum: 85.0 psi  
Water Pressure Minimum: 20.0 psi  
Water Pressure Recommended: 45.0 psi

### INSPIRATION

This new American classic was designed with simplicity in mind. Featuring streamlined forms and honest details, it's the epitome of quiet elegance.

### CODES & STANDARDS

### PRODUCT FEATURES

Features Two-Tone Tri-Spoke Handles

Includes Universal Push-Touch Drain (UNLD23) which fits 1-1/2" through 1-3/4" drain hole openings

Stocked in Nickel/Matte Black and Brass/Matte Black

Available in 1.2gpm (4.5L/min) flow rate; Requires valve, sold separately: GULV27 (USA) or GU27LV (UK/International)

### CERTIFICATIONS

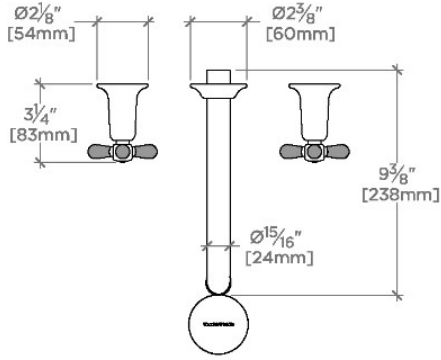
### PRODUCT (NOTES)

# WATERWORKS

## RIVERUN

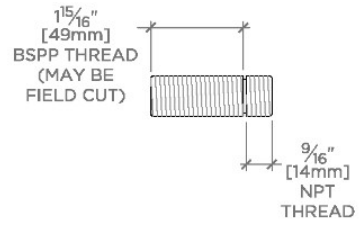
RRLS60

Riverun Wall Mounted Lavatory Faucet with Two-Tone Tri-Spoke Handles

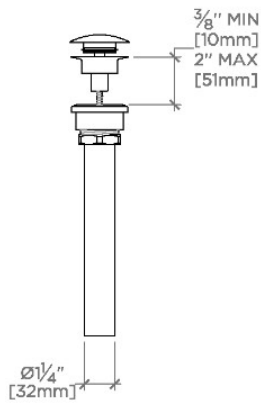
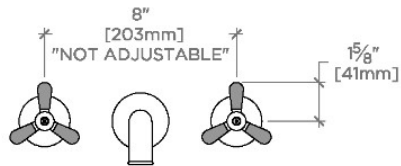


TOP VIEW

SCALE: 1/2"=1'-0"

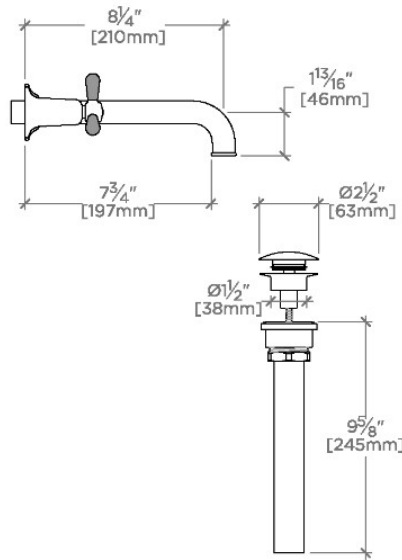


ADAPTER INCLUDED - INTERNATIONAL USE ONLY



FRONT VIEW

SCALE: 1/2"=1'-0"



SIDE VIEW

SCALE: 1/2"=1'-0"