

ETOILE

ETS161

Etoile 6" Showerhead with 12" Ceiling Mounted Shower Arm



SHOWN IN ETOILE 6" SHOWERHEAD WITH 12" CEILING MOUNTED SHOWER ARM | ETS161

TECHNICAL DETAILS

Adjustable Versus Fixed Spray: Fixed
Fittings Hole Diameter: 1 1/4"
Inlet Connection Size: 1/2"
Inlet Connection Type: Male NPT
Pivot: Y
Primary Material: Brass
Restricted Maximum Flow Rate: 1.75 gpm
Water Pressure Maximum: 85.0 psi
Water Pressure Minimum: 20.0 psi
Water Pressure Recommended: 45.0 psi

INSPIRATION

Defined elegance. Etoile has a European sophistication with a timeless sense of chic.

CODES & STANDARDS

PRODUCT FEATURES

Made of Brass

Features a swivel 6" showerhead with easy clean rubber nozzles

Includes a 12" ceiling mounted shower arm

Stocked in Brass, Chrome and Nickel

Showerhead available in 1.75gpm (6.6L/min) flow rate

CERTIFICATIONS

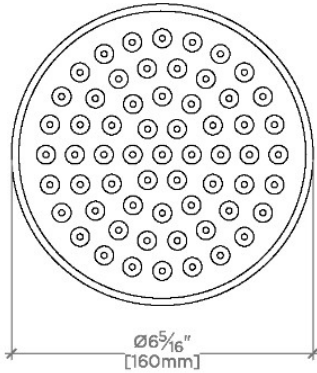
PRODUCT (NOTES)

WATERWORKS

ETOILE

ETS161

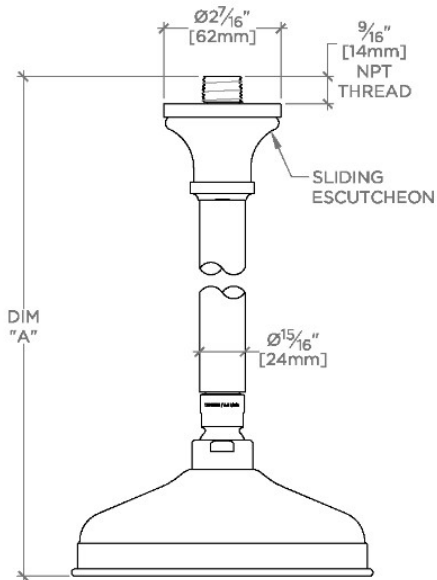
Etoile 6" Showerhead with 12" Ceiling Mounted Shower Arm



CEILING VIEW

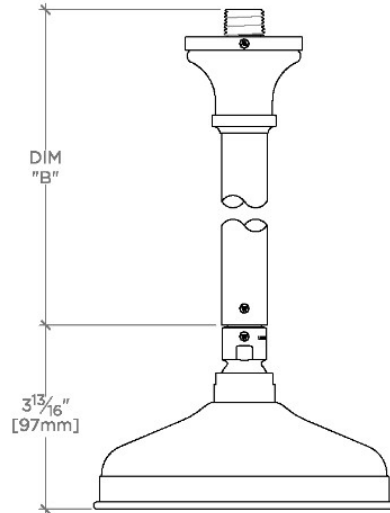
SCALE: 3"=1'-0"

| STYLE NO. | DIM "A" | DIM "B" |
|-----------|---|--|
| ETS160 | 10 ³ / ₈ " [264mm] | 6 ⁹ / ₁₆ " [167mm] |
| FRS160 | | |
| JUS160 | | |
| ETS161 | 16 ³ / ₈ " [417mm] | 12 ⁹ / ₁₆ " [319mm] |
| FRS161 | | |
| JUS161 | | |



FRONT VIEW

SCALE: 3"=1'-0"



SIDE VIEW

SCALE: 3"=1'-0"