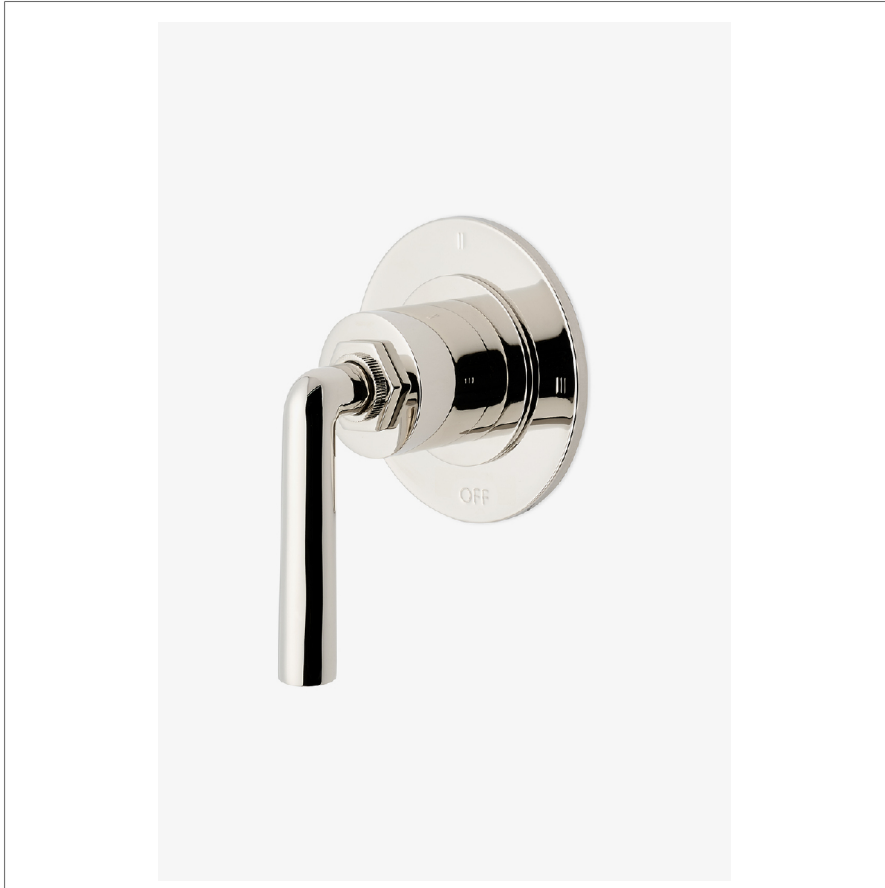


HENRY

HN3T11

Henry Three Way Diverter Valve Trim for Thermostatic with Roman Numerals and Lever Handle



SHOWN IN HENRY THREE WAY DIVERTER VALVE TRIM FOR THERMOSTATIC WITH ROMAN NUMERALS AND LEVER HANDLE | HN3T11

TECHNICAL DETAILS

Fittings Hole Diameter: 2"
Handle Turn Angle: Full Turn
Number Of Holes: One Hole
Primary Material: Brass

INSPIRATION

Influenced by the connection of industry and art Henry easily transitions between modern, traditional, utilitarian and classic settings.

CODES & STANDARDS

ASME A112.18.1/CSA B125.1, State of MA

PRODUCT FEATURES

Features Lever Handle

For Use with a Thermostatic Shower System and Three Waterway Outlets

Features Roman Numerals Representing Outlet Position

Stocked in Brass, Chrome, Nickel and Dark Nickel

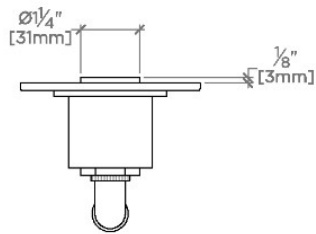
Requires rough valve, sold Separately: GUDV3T (USA) or GU66DV (UK/International)

CERTIFICATIONS

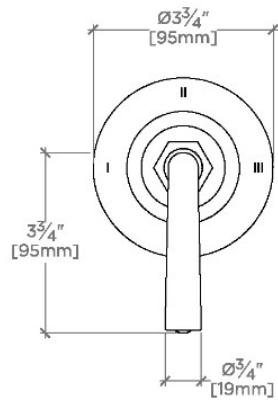


PRODUCT (NOTES)

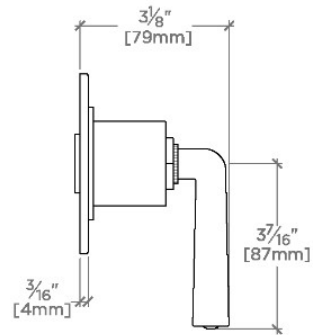
Henry Three Way Diverter Valve Trim for Thermostatic with Roman Numerals and Lever Handle



TOP VIEW SCALE: 3"=1'-0"



FRONT VIEW SCALE: 3"=1'-0"



SIDE VIEW SCALE: 3"=1'-0"