

HENRY

HTH413

Henry Integrated Thermostatic and Two Way Diverter Trim with Coin Edge Cross and Lever Handles



SHOWN IN HENRY INTEGRATED THERMOSTATIC AND TWO WAY DIVERTER TRIM WITH COIN EDGE CROSS AND LEVER HANDLES | HTH413

TECHNICAL DETAILS

Fittings Hole Diameter: 2 1/2"
 Integrated Diverter: Y
 Number Of Holes: Two Hole
 Primary Material: Brass

INSPIRATION

Influenced by the connection of industry and art Henry easily transitions between modern, traditional, utilitarian and classic settings.

CODES & STANDARDS

ASME A112.18.1/CSA B125.1, State of MA

PRODUCT FEATURES

Features Cross and Lever Handles

Allows bather to adjust temperature of all waterway outlets with a hot limit safety stop providing anti-scald protection

Stocked in Brass, Chrome, Nickel and Dark Nickel

Requires rough valve, sold separately: GUTH72 (USA) or GU72TH (UK/International)

CERTIFICATIONS

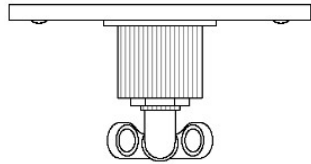


PRODUCT (NOTES)

HENRY

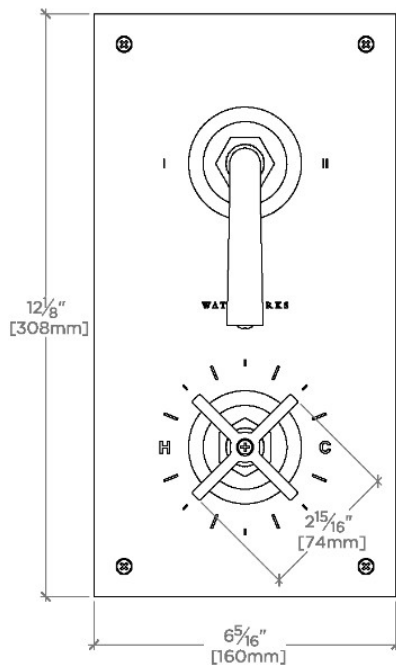
HTH413

Henry Integrated Thermostatic and Two Way Diverter Trim
with Coin Edge Cross and Lever Handles



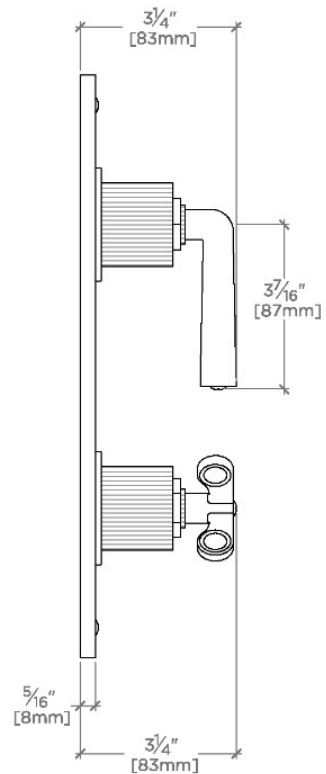
TOP VIEW

SCALE: 3"=1'-0"



FRONT VIEW

SCALE: 3"=1'-0"



SIDE VIEW

SCALE: 3"=1'-0"