

## HENRY

## HTH502

Henry Integrated Thermostatic and Three Way Diverter Trim with Two Tone Cross Handles



SHOWN IN HENRY INTEGRATED THERMOSTATIC AND THREE WAY DIVERTER TRIM WITH TWO TONE CROSS HANDLES | HTH502

### TECHNICAL DETAILS

Fittings Hole Diameter: 2 1/2"  
 Integrated Diverter: Y  
 Number Of Holes: Two Hole  
 Primary Material: Brass

### INSPIRATION

Influenced by the connection of industry and art Henry easily transitions between modern, traditional, utilitarian and classic settings.

### CODES & STANDARDS

ASME A112.18.1/CSA B125.1, State of MA

### PRODUCT FEATURES

Features Two Tone Cross Handles

Allows bather to adjust temperature of all waterway outlets with a hot limit safety stop providing anti-scald protection

Stocked in Brass/Dark Nickel and Nickel/Dark Nickel

Requires rough valve, sold separately: GUTH73 (USA) or GU73TH (UK/International)

### CERTIFICATIONS

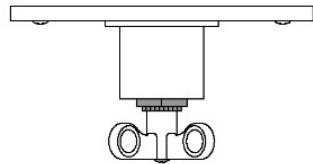


### PRODUCT (NOTES)

## HENRY

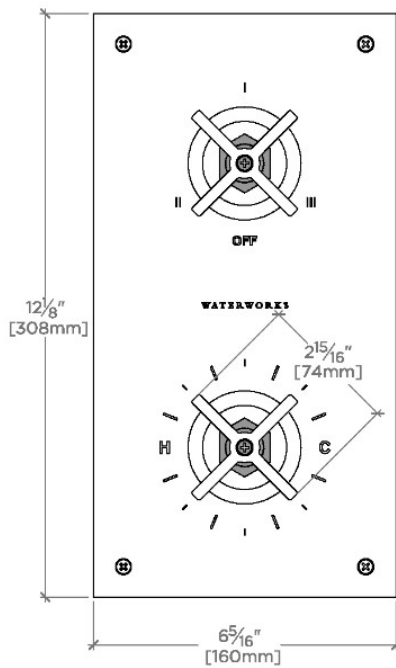
HTH502

Henry Integrated Thermostatic and Three Way Diverter Trim  
with Two Tone Cross Handles



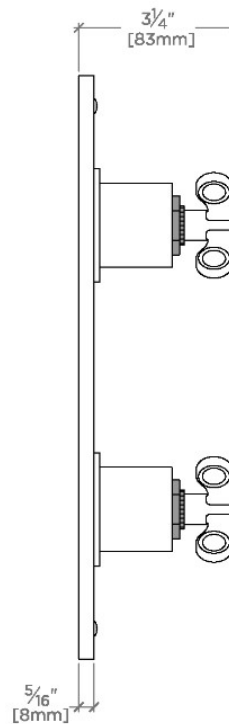
TOP VIEW

SCALE: 3"=1'-0"



FRONT VIEW

SCALE: 3"=1'-0"



SIDE VIEW

SCALE: 3"=1'-0"