



Cube

VCM 18

inch 18 x 18 x 4 mm 457 x 457 x 102

■ **interior dimensions**

inch 14 x 11.5 x 3.375 mm 356 x 292 x 86

■ **weight**

lb - 15 kg - 7

■ **installation**

above counter

■ **accessory**

nil

■ **overflow**

without overflow : VCM 18
 built-in overflow : VCM 18-O
 polished chrome or brushed nickel

■ **faucet hole**

mono, 8" c/c, no hole
 or custom drillings

■ **material**

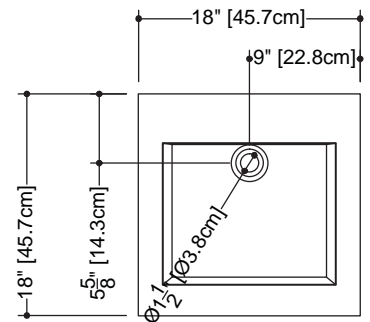
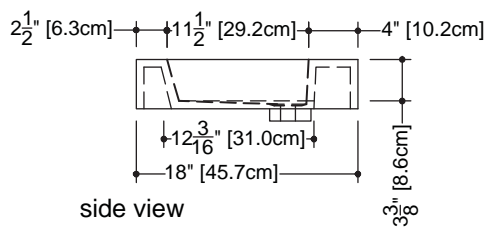
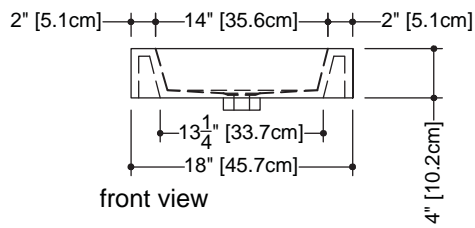
WETMAR BiO™, True High Gloss™
 or matte finish

■ **color**

white

■ **codes/standards applicable**

IAPMO-ANSI Z124.1 – IAPMO-ANSI Z124.3
 CSA B 45.0 – CSA B45.4



WETSTYLE cannot be held responsible for any technical errors and reserves the right to make revisions without notice.

Approximate measurement.
 The manufacturer accept 1/4" (6.35mm) variance.

www.WETSTYLE.CA - Montreal - Canada
 Tel. 450.536.9000 - 1 888.536.9001 - Fax. 450.536.0202

