



Cube

VCM 20

inch 20 x 18 x 2 mm 508 x 457 x 102

interior dimensions

inch 16 x 11.5 x 3.375 mm 406 x 292 x 86

weight

lb - 17 kg - 8

installation

above counter

accessory

nil

overflow

without overflow : VCM 20
 built-in overflow : VCM 20-O
 polished chrome or brushed nickel

faucet hole

mono, 8" c/c, no hole
 or custom drillings

material

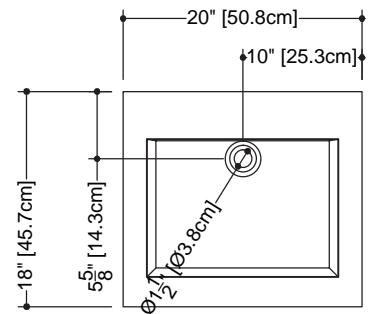
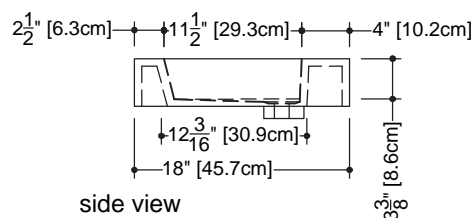
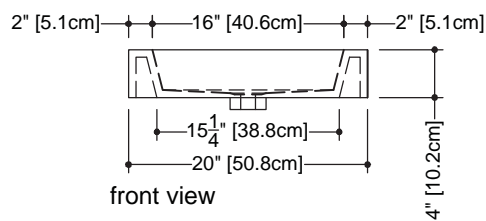
WETMAR BiO™, True High Gloss™
 or matte finish

color

white

codes/standards applicable

IAPMO-ANSI Z124.1 – IAPMO-ANSI Z124.3
 CSA B 45.0 – CSA B45.4



WETSTYLE cannot be held responsible for any technical errors and reserves the right to make revisions without notice.

Approximate measurement.
 The manufacturer accept 1/4" (6.35mm) variance.

www.WETSTYLE.CA - Montreal - Canada
 Tel. 450.536.9000 - 1 888.536.9001 - Fax. 450.536.0202

