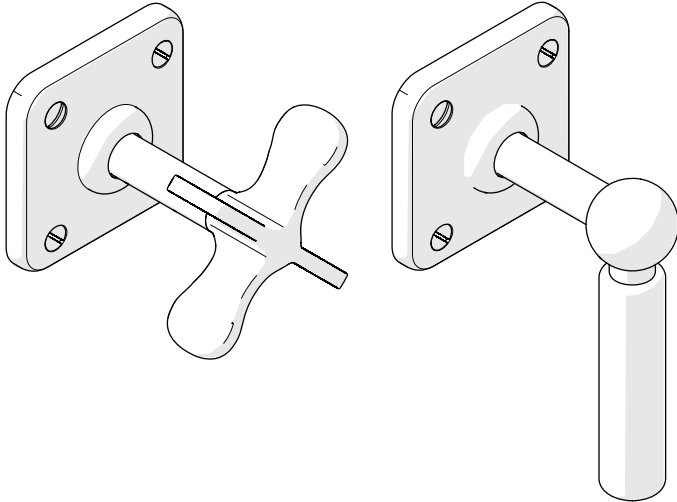


STYLE No. LDVC01

STYLE No. LDVC10



SPECIFICATIONS:

Control Valve Rough-in Depth: 3-1/4" MIN - 4-1/4" MAX

REQUIRED PLUMBING DETAILS:

Universal 1/2" Volume Control

STYLE No. GUV18 (Counter-Clockwise Open)

STYLE No. GUV19 (Clockwise Open)

IMPORTANT:

- The screws on the escutcheons are aesthetic, do not serve any mechanical purpose, and should not be removed.
- To ensure this product is installed properly, you must read and follow these guidelines.
- The owner/user of this product must keep this information for future reference.
- This product must be installed by a professional licensed contractor. Be sure your installation conforms to federal state, and local codes. In the State of Massachusetts, all installations must comply with the rules and regulations set forth within 248 CMR.
- This product must be onsite prior to rough-in. This allows the installer to visualize the installation.
- Wall valves (sold separately) control on/off/volume and must be installed for each fitting that will have water flowing to it. If using a wall valve with the Universal 1/2" Thermostatic Valve (Style No. GUTH56 - sold separately), refer to the Installation Guidelines for the Thermostatic Valve which contains related installation information.
- Inspect this product to ensure you have all the parts required for proper installation.

- Use only a strap wrench or protected/smooth-jaw wrench on any finished surface.
- DO NOT use putty. Putty contains oil and can cause permanent discoloration on certain materials such as marble, granite and any porous surface.

TRIM INSTALLATION:

1. Remove the tile guard and o-ring from the valve as shown in Figure - 01.

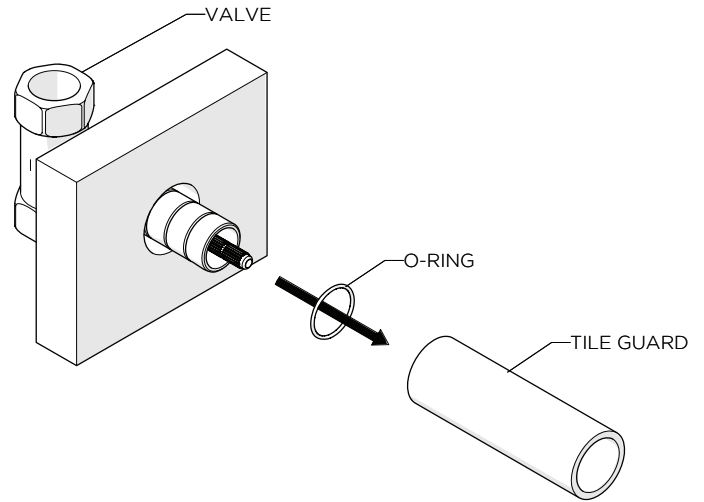


FIGURE - 01

- See Figure - 02 for steps 2 & 3

DIMENSION	VALUE (INCHES)
A	1/4"
B	1/2"

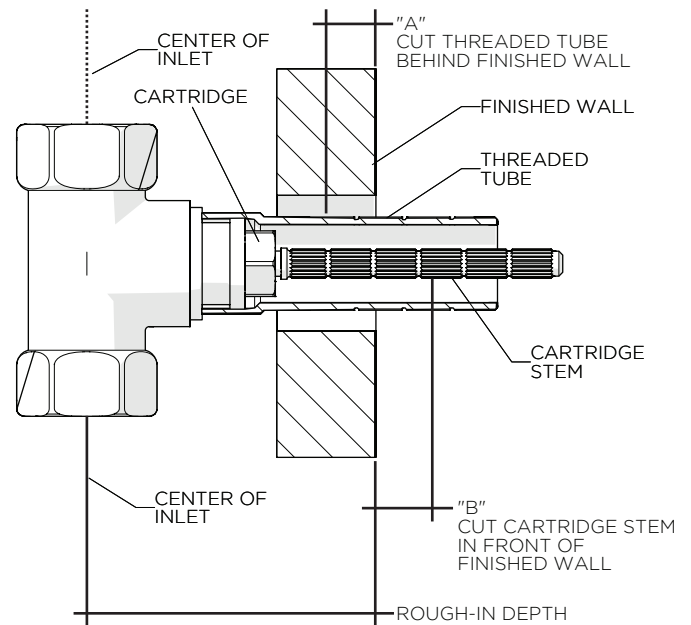


FIGURE - 02

These guidelines have been prepared for the professional contractor to aid in the installation of:
LUDLOW VOLUME CONTROL VALVE TRIM WITH METAL CROSS HANDLE (STYLE NO. LDVC01) & METAL LEVER HANDLE (STYLE NO. LDVC10).
 All dimensions are based on original specification and are subject to change and variation.
 Please consult your Design Associate for current specifications.

2. Mark the threaded tube as shown in Figure - 02 then remove and cut the thread tube.
3. Mark the cartridge stem as shown in Figure - 02 then remove the cartridge and cut the cartridge stem
4. Thread the cartridge and threaded tube back onto the valve.
5. Thread the handle connector onto the threaded tube as shown in Figure - 03, making sure the o-ring is securely in place.

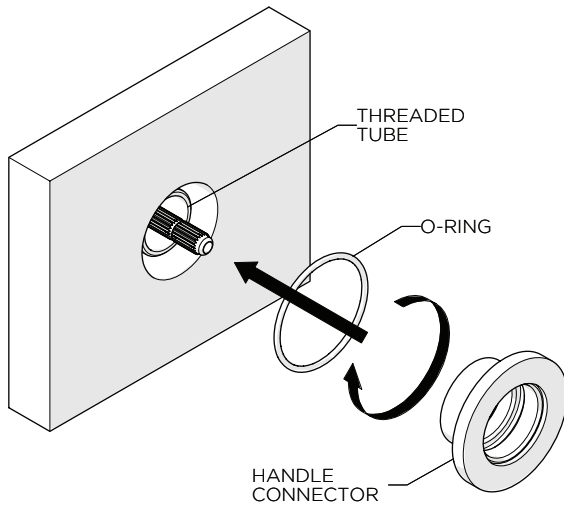


FIGURE - 03

6. Slide the escutcheon up the handle stem to expose the threaded post at the base. With the handle in the desired orientation, place the handle stem onto the cartridge stem and thread the post into the handle connector until fully seated. Make sure to securely tighten the post. See Figure - 04.

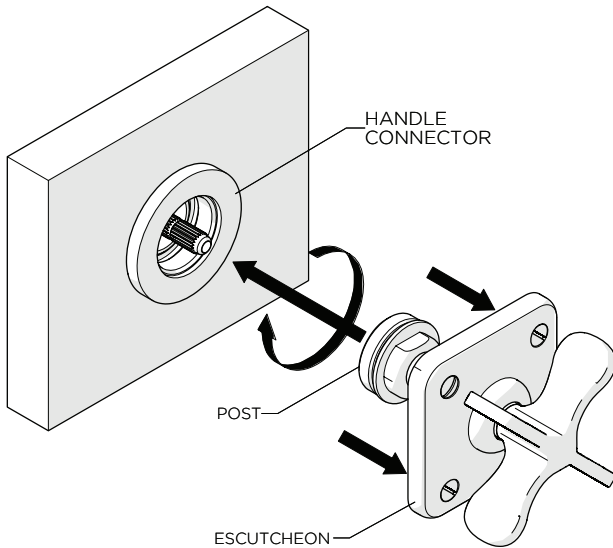


FIGURE - 04

7. Push the escutcheon against the finished wall and securely tighten the set screw using a 1/16" hex key. See Figure - 05.

- **NOTE:** If desired, a bead of caulk or a clear silicone may be applied where the ESCUTCHEON contacts the finished wall. DO NOT use putty.*

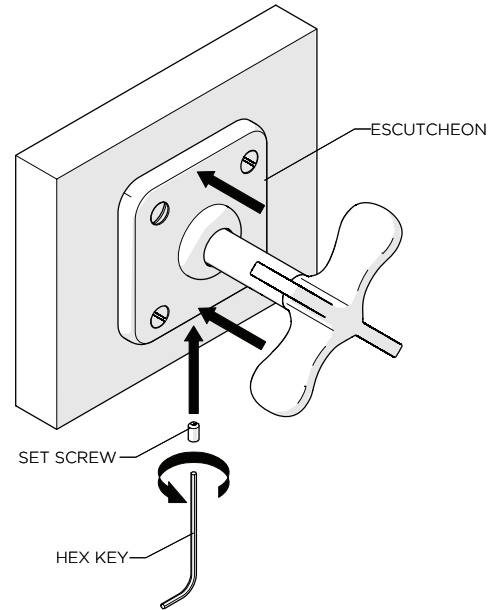


FIGURE - 05

8. Turn on the water supply and operate the handle to ensure that it is functioning properly.

- If further assistance is required, please contact Product Support at 1-800-927-2120 Monday through Friday, 8am - 6pm EST.

- The screws on the escutcheons are aesthetic, do not serve any mechanical purpose, and should not be removed.

- See the service part document for parts ordering, available on WATERWORKS.COM.

- * Putty contains oil and can cause permanent discoloration on certain materials such as marble, granite and any porous surface.

These guidelines have been prepared for the professional contractor to aid in the installation of:
LUDLOW VOLUME CONTROL VALVE TRIM WITH METAL CROSS HANDLE (STYLE NO. LDVC01) & METAL LEVER
HANDLE (STYLE NO. LDVC10).
All dimensions are based on original specification and are subject to change and variation.
Please consult your Design Associate for current specifications.

WATERWORKS
STUDIO