

LUDLOW

LDLS20

Ludlow Gooseneck Lavatory Faucet with Cross Handles



SHOWN IN LUDLOW GOOSENECK LAVATORY FAUCET WITH CROSS HANDLES | LDLS20

TECHNICAL DETAILS

Deck Thickness Maximum: 2 1/8"
Drain Depth Maximum: 2"
Drain Depth Minimum: 0.38"
Drain Hole Diameter: 1 1/2"
Drain Style: USA Push Touch
Fittings Hole Diameter: 1 3/8"
Handle Spread Maximum: 12"
Handle Spread Minimum: 8"
Handle Turn Angle: Quarter Turn
Inlet Connection Size: 1/2"
Inlet Connection Type: Male with Supply Nut
Inlet Supply Spread Maximum: 12"
Inlet Supply Spread Minimum: 8"
Number Of Holes: Three Hole
Primary Material: Brass
Restricted Maximum Flow Rate: 1.2 gpm
Water Pressure Maximum: 85.0 psi
Water Pressure Minimum: 20.0 psi
Water Pressure Recommended: 45.0 psi

INSPIRATION

Our fresh take on American industrial design comes in three styles, each of them clean-lined, and distinct to Waterworks.

CODES & STANDARDS

PRODUCT FEATURES

Cross Handles

Includes a Universal Push Touch Drain sized to fit US and Euro sink drain openings.

Stocked in a Chrome, Nickel and Brass

Available in 1.2gpm (4.5L/min) flow rate

CERTIFICATIONS

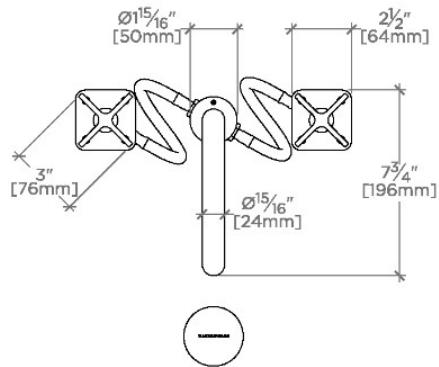
PRODUCT (NOTES)

WATERWORKS

LUDLOW

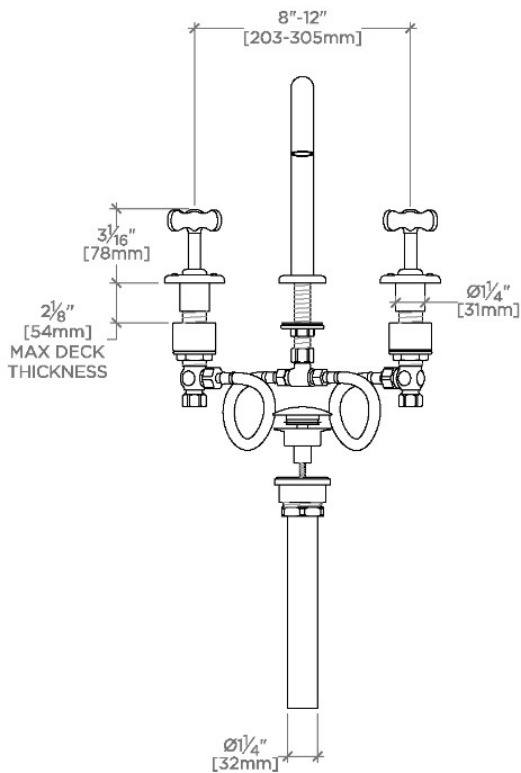
LDLS20

Ludlow Gooseneck Lavatory Faucet with Cross Handles



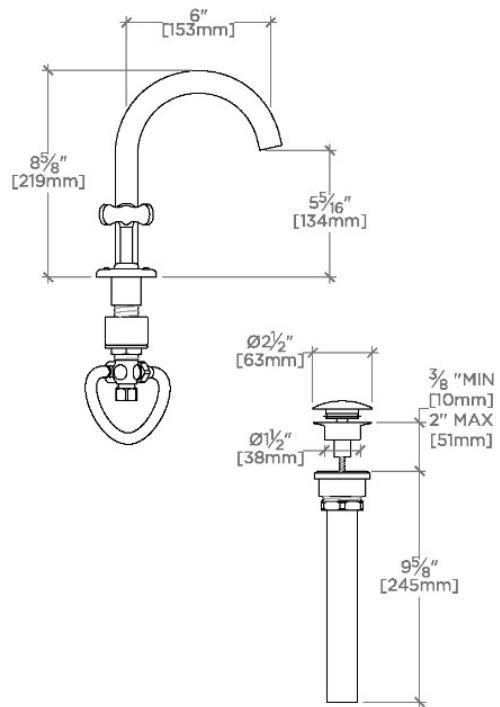
TOP VIEW

SCALE: 1 1/2"=1'-0"



FRONT VIEW

SCALE: 1 1/2"=1'-0"



SIDE VIEW

SCALE: 1 1/2"=1'-0"